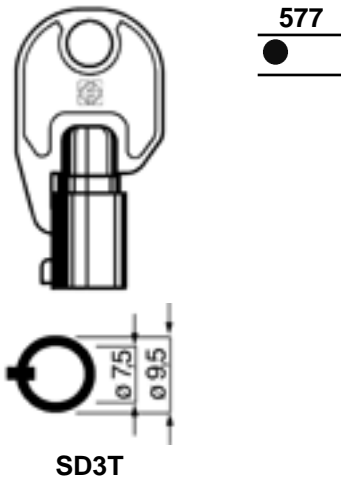


SD3T



FOR: SIDLEEN

1:1 scale



DIMENSIONS

Key length (A): 36.000mm (1.417in)
Stem diameter (B): 9.500mm (0.374in)
Hole diameter (C): 7.500mm (0.295in)

CATEGORY

Cylinder lock

USE

CYLINDERS
SECURITY CYLINDERS

COMPARATIVE REFERENCES

CHARLES BIRCH	7065
HD	SD3T
KRAGA	F215
LOTUS	SD5T
ORION	S12SLET

SILCA CATALOGUE

[Silca 108](#)

page 154

SAP REFERENCES

CSD3T 20